

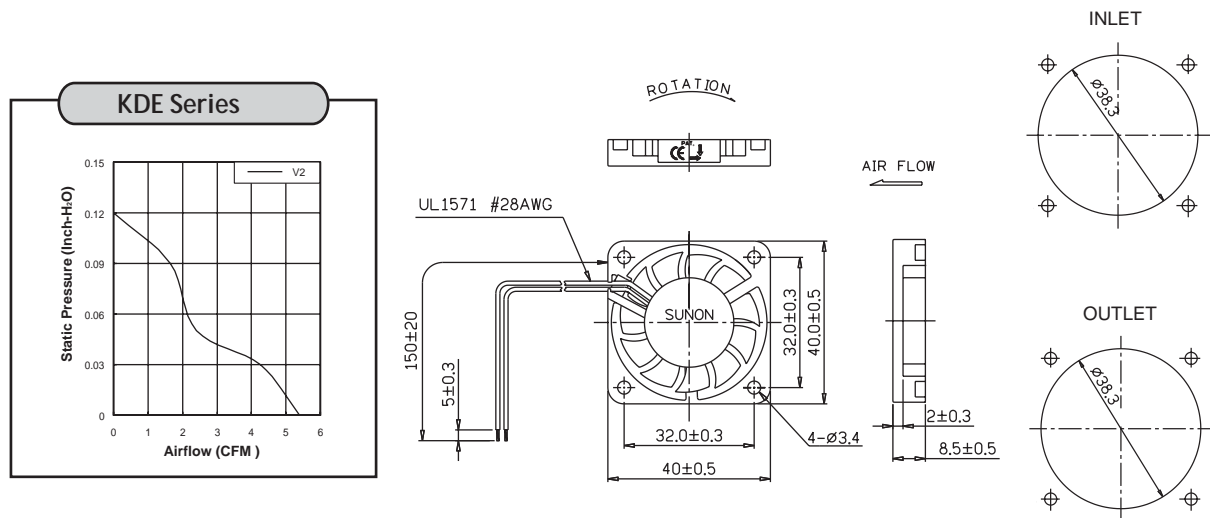
5.4 CFM



KDE Series (MagLev)

Model	P/N	Bearing ● VAPO ○ BALL ● 2BALL	Rating Voltage (VDC)	Power Current (AMP)	Power Consumption (WATTS)	Speed (RPM)	Air Flow (CFM)	Static Pressure (Inch-H ₂ O)	Noise (dBA)	Weight (g)
KDE0504PDV2-8	MS	●	5	0.13	0.7	6600	5.4	0.12	32.5	11.8
KDE1204PDV2-8	MS	●	12	0.13	0.7	6600	5.4	0.12	32.5	11.8

*Remarks : GM series are available with lower power consumption, higher torque and higher T^o range (≥ 70°C).



*Specifications subject to change without notice.

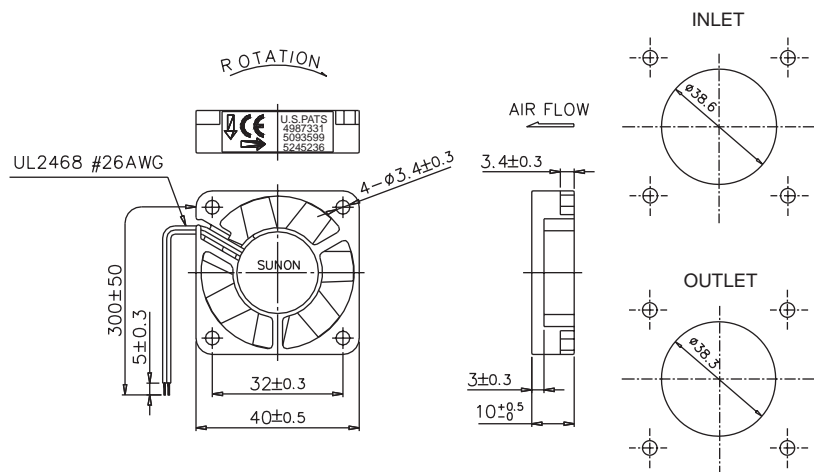
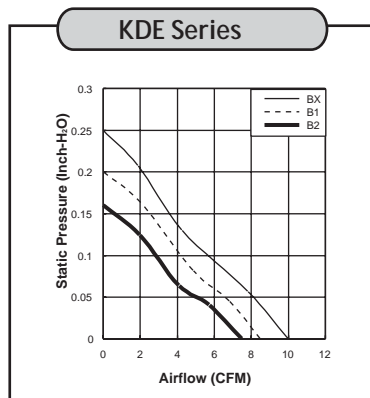
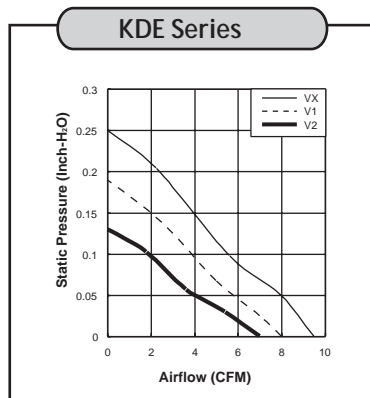
7~10 CFM



KDE Series (MagLev) 

Model	P/N	Bearing	Rating Voltage (VDC)	Power Current (AMP)	Power Consumption (WATTS)	Speed (RPM)	Air Flow (CFM)	Static Pressure (Inch-H ₂ O)	Noise (dBA)	Weight (g)
KDE1204PFVX	11.MS.A	● VAPO	12	0.14	1.7	8500	9.5	0.25	39	14
KDE1204PFV1	11.MS.A	● BALL	12	0.10	1.2	7000	8.0	0.19	32	14
KDE1204PFV2	11.MS.A	● 2BALL	12	0.08	1.0	5800	7.0	0.13	27	14
KDE1204PFBX	11.MS.A	○ BALL	12	0.14	1.7	9000	10.0	0.25	40	14
KDE1204PFB1	11.MS.A	○ BALL	12	0.10	1.2	7500	8.5	0.20	34	14
KDE1204PFB2	11.MS.A	○ BALL	12	0.08	1.0	6500	7.5	0.16	29	14

*Remarks : GM series are available with lower power consumption, higher torque and higher T^o range (≥70°C).



*Specifications subject to change without notice.

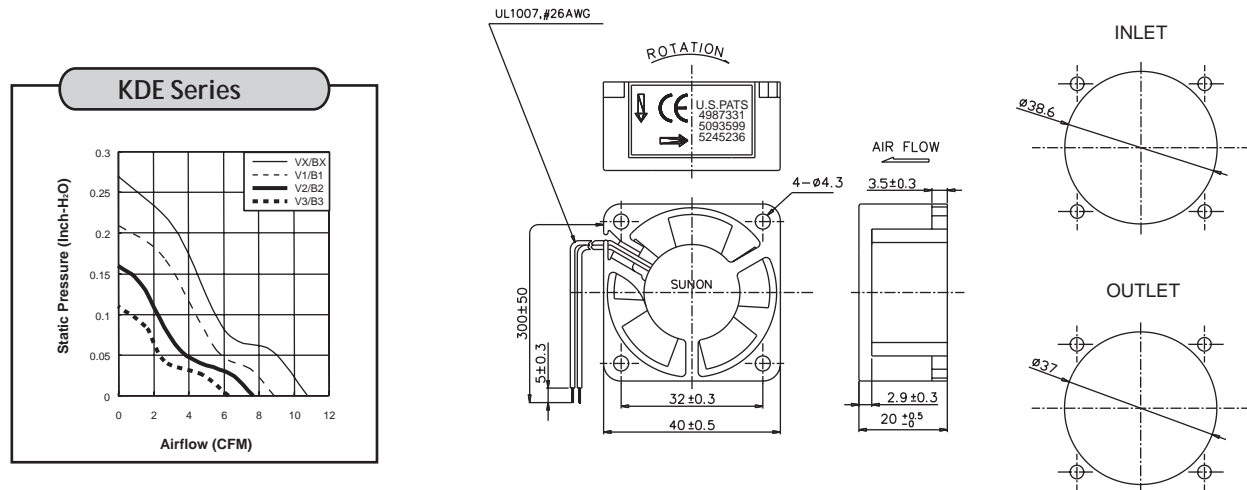
6.3~10.8 CFM



KDE Series (MagLev)

Model	P/N	Bearing ● VAPO ○ BALL ⊙ 2BALL	Rating Voltage (VDC)	Power Current (AMP)	Power Consumption (WATTS)	Speed (RPM)	Air Flow (CFM)	Static Pressure (Inch-H ₂ O)	Noise (dBA)	Weight (g)
KDE1204PKVX	MS	●	12	0.13	1.6	8200	10.8	0.27	27.5	30
KDE1204PKV1	MS	●	12	0.10	1.2	7200	8.9	0.21	25.5	30
KDE1204PKV2	MS	●	12	0.07	0.8	6200	7.7	0.16	21.0	30
KDE1204PKV3	MS	●	12	0.05	0.6	5200	6.3	0.11	18.0	30
KDE1204PKBX	MS	○	12	0.13	1.6	8200	10.8	0.27	29.0	30
KDE1204PKB1	MS	○	12	0.10	1.2	7200	8.9	0.21	26.0	30
KDE1204PKB2	MS	○	12	0.07	0.8	6200	7.7	0.16	21.5	30
KDE1204PKB3	MS	○	12	0.05	0.6	5200	6.3	0.11	18.5	30

*Remarks : GM series are available with lower power consumption, higher torque and higher T^o range (≥ 70°C).



*Specifications subject to change without notice.

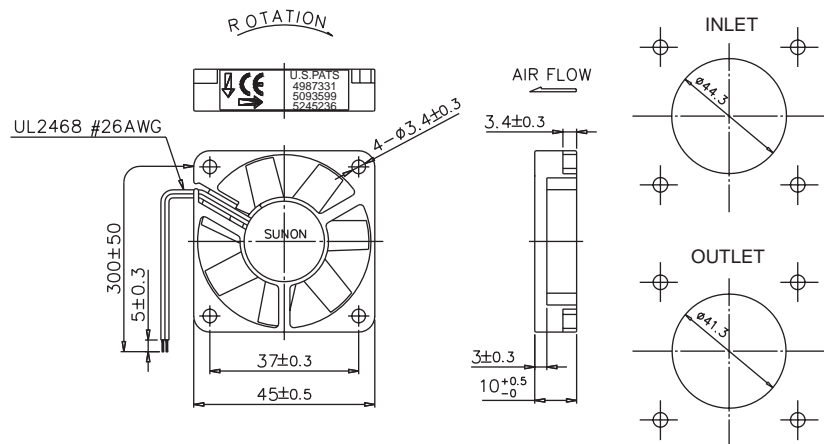
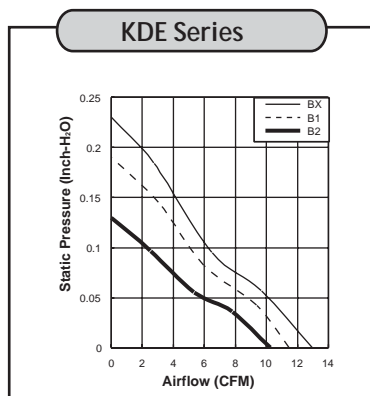
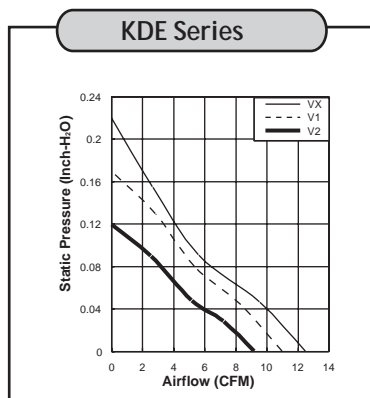
9.2~13 CFM



KDE Series (MagLev)

Model	P/N	Bearing	Rating Voltage (VDC)	Power Current (AMP)	Power Consumption (WATTS)	Speed (RPM)	Air Flow (CFM)	Static Pressure (Inch-H ₂ O)	Noise (dBA)	Weight (g)
KDE1245PFVX	11.MS.A	● VAPO	12	0.15	1.8	7100	12.5	0.22	35	15
KDE1245PFV1	11.MS.A	● BALL	12	0.11	1.3	6000	11.0	0.17	32	15
KDE1245PFV2	11.MS.A	● 2BALL	12	0.08	1.0	5000	9.2	0.12	27	15
KDE1245PFBX	11.MS.A	○	12	0.15	1.8	7300	13.0	0.23	36	15
KDE1245PFB1	11.MS.A	○	12	0.10	1.2	6500	11.5	0.19	34	15
KDE1245PFB2	11.MS.A	○	12	0.09	1.1	5600	10.3	0.13	28	15

*Remarks : GM series are available with lower power consumption, higher torque and higher T^o range (≥ 70°C).



*Specifications subject to change without notice.

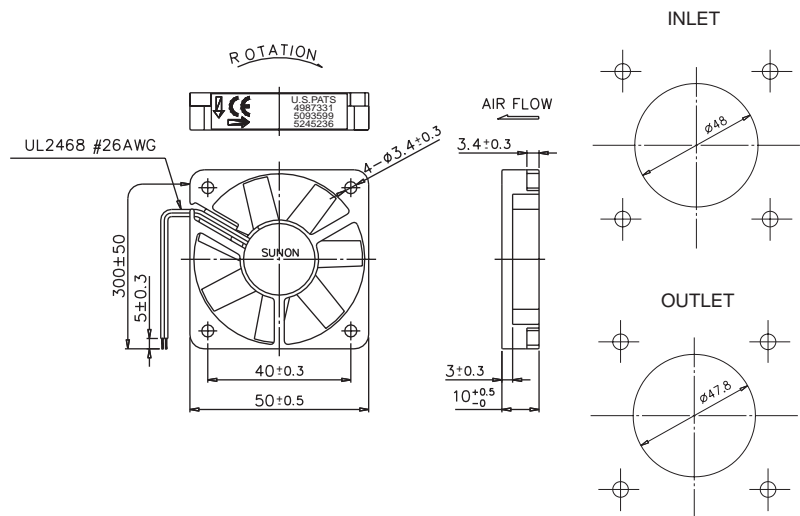
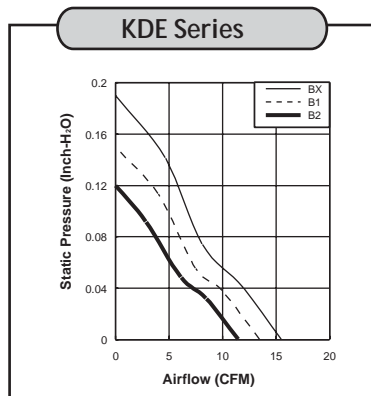
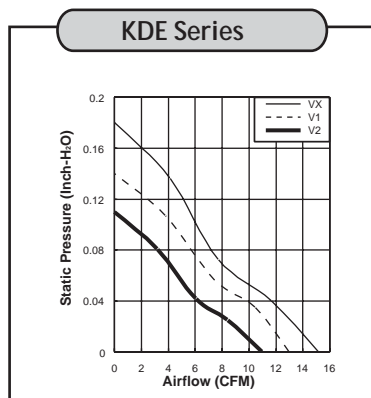
11~15.5 CFM



KDE Series (MagLev)

Model	P/N	Bearing	Rating Voltage (VDC)	Power Current (AMP)	Power Consumption (WATTS)	Speed (RPM)	Air Flow (CFM)	Static Pressure (Inch-H ₂ O)	Noise (dBA)	Weight (g)
KDE1205PFVX	11.MS.A	● VAPO	12	0.16	1.9	6100	15.2	0.18	35.0	17
KDE1205PFV1	11.MS.A	● BALL	12	0.11	1.3	5200	13.0	0.14	30.0	17
KDE1205PFV2	11.MS.A	● 2BALL	12	0.09	1.1	4300	11.0	0.11	26.0	17
KDE1205PFBX	11.MS.A	○	12	0.16	1.9	6300	15.5	0.19	36.0	17
KDE1205PFB1	11.MS.A	○	12	0.11	1.3	5500	13.3	0.15	31.0	17
KDE1205PFB2	11.MS.A	○	12	0.09	1.1	4700	11.5	0.12	27.5	17

*Remarks : GM series are available with lower power consumption, higher torque and higher T^o range (≥ 70°C).



*Specifications subject to change without notice.

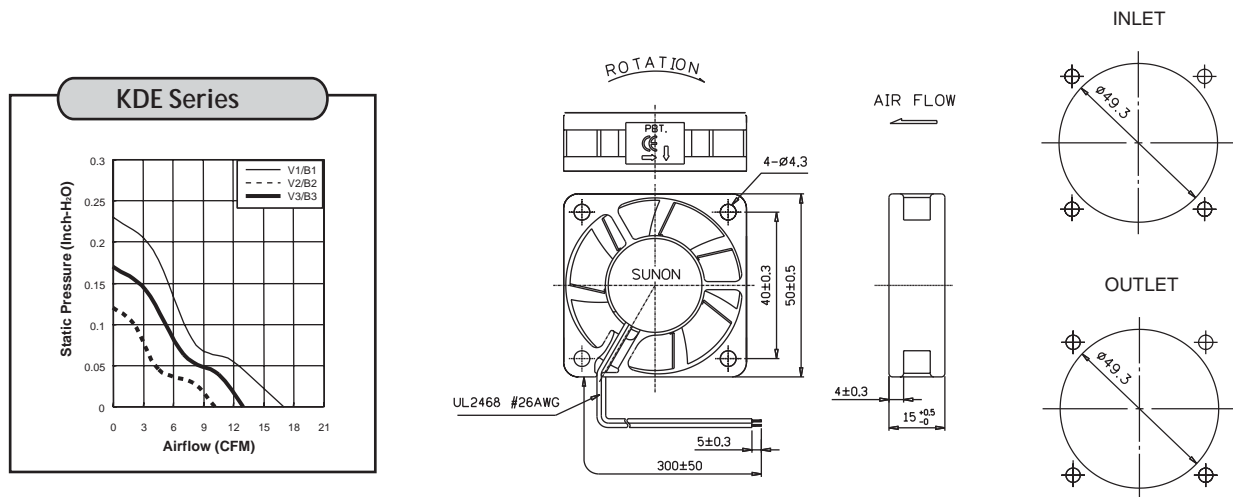
10.2~17 CFM



KDE Series (MagLev)

Model	P/N	Bearing	Rating Voltage (VDC)	Power Current (AMP)	Power Consumption (WATTS)	Speed (RPM)	Air Flow (CFM)	Static Pressure (Inch-H ₂ O)	Noise (dBA)	Weight (g)
KDE1205PHV1	MS	● VAPO	12	0.13	1.5	5800	17.0	0.23	33.0	36
KDE1205PHV2	MS	● BALL	12	0.08	1.0	4700	13.0	0.17	29.0	36
KDE1205PHV3	MS	● 2BALL	12	0.06	0.7	3700	10.2	0.12	22.0	36
KDE1205PHB1	MS	○	12	0.13	1.5	5800	17.0	0.23	34.0	36
KDE1205PHB2	MS	○	12	0.08	1.0	4700	13.0	0.17	29.5	36
KDE1205PHB3	MS	○	12	0.06	0.7	3700	10.2	0.12	22.5	36

*Remarks : GM series are available with lower power consumption, higher torque and higher T^o range (≥ 70°C).



*Specifications subject to change without notice.

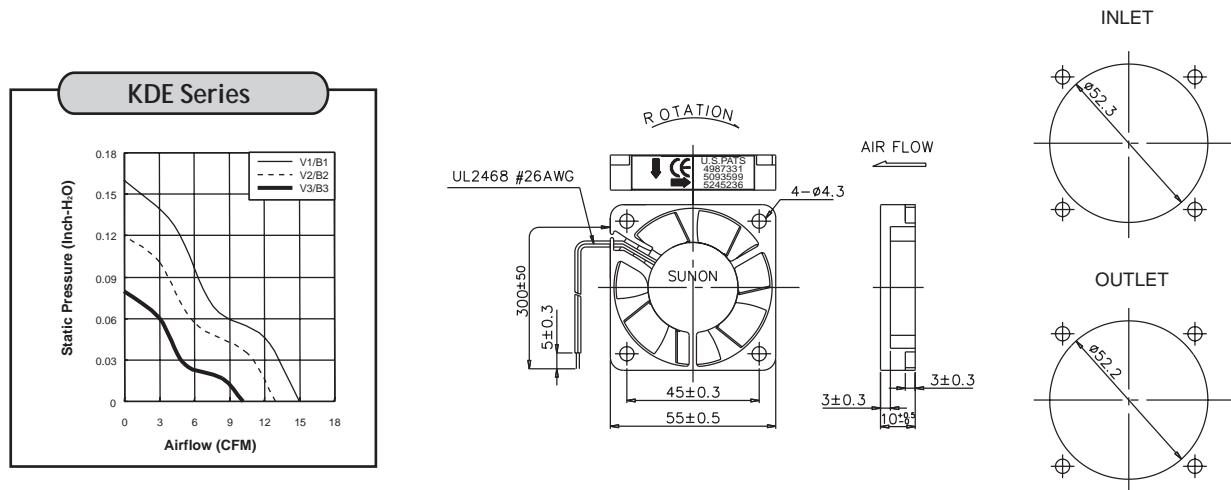
10.2~15 CFM



KDE Series (MagLev)

Model	P/N	Bearing	Rating Voltage (VDC)	Power Current (AMP)	Power Consumption (WATTS)	Speed (RPM)	Air Flow (CFM)	Static Pressure (Inch-H ₂ O)	Noise (dBA)	Weight (g)
KDE1255PFV1	MS.G	● VAPO	12	0.12	1.4	5700	15.0	0.16	36.0	26
KDE1255PFV2	MS.G	● BALL	12	0.08	1.0	4700	13.0	0.12	30.0	26
KDE1255PFV3	MS.G	● 2BALL	12	0.06	0.7	4000	10.2	0.08	26.0	26
KDE1255PFB1	MS.G	○	12	0.12	1.4	5700	15.0	0.16	36.5	26
KDE1255PFB2	MS.G	○	12	0.08	1.0	4700	13.0	0.12	30.5	26
KDE1255PFB3	MS.G	○	12	0.06	0.7	4000	10.2	0.08	27.0	26

*Remarks : GM series are available with lower power consumption, higher torque and higher T^o range (≥ 70°C).



*Specifications subject to change without notice.

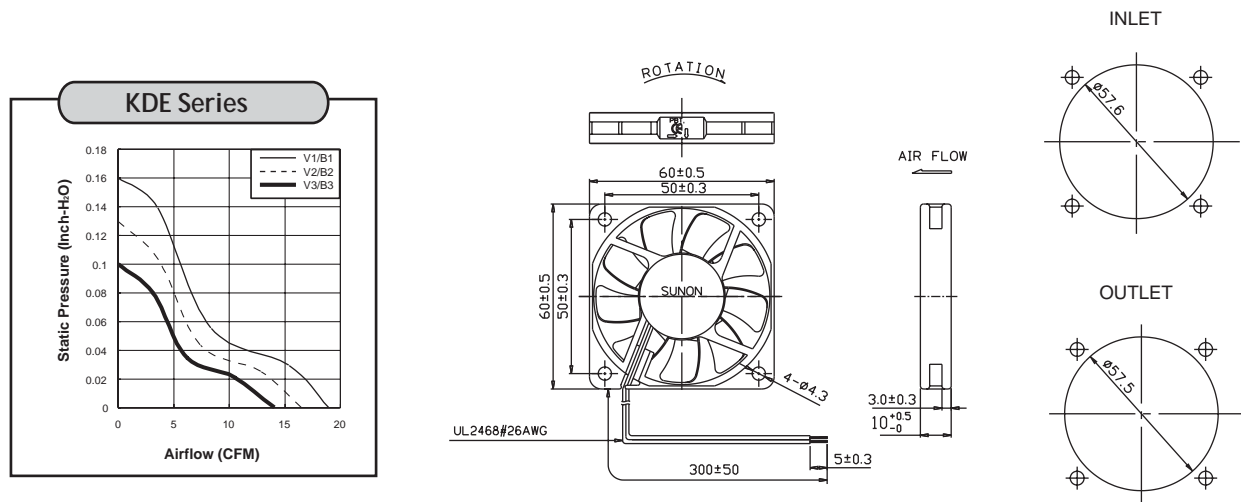
14~19 CFM



KDE Series (MagLev)

Model	P/N	Bearing	Rating Voltage (VDC)	Power Current (AMP)	Power Consumption (WATTS)	Speed (RPM)	Air Flow (CFM)	Static Pressure (Inch-H ₂ O)	Noise (dBA)	Weight (g)
KDE1206PFV1	MS.G.(9)	● VAPO	12	0.23	2.8	4800	19.0	0.16	33.5	28
KDE1206PFV2	MS.G.(9)	● BALL	12	0.16	1.9	4200	16.5	0.13	30.0	28
KDE1206PFV3	MS.G.(9)	● 2BALL	12	0.10	1.2	3600	14.0	0.10	25.5	28
KDE1206PFB1	MS.G.(9)	○	12	0.23	2.8	4800	19.0	0.16	34.5	28
KDE1206PFB2	MS.G.(9)	○	12	0.16	1.9	4200	16.5	0.13	31.0	28
KDE1206PFB3	MS.G.(9)	○	12	0.10	1.2	3600	14.0	0.10	26.5	28

*Remarks : GM series are available with lower power consumption, higher torque and higher T^o range (≥ 70°C).



*Specifications subject to change without notice.

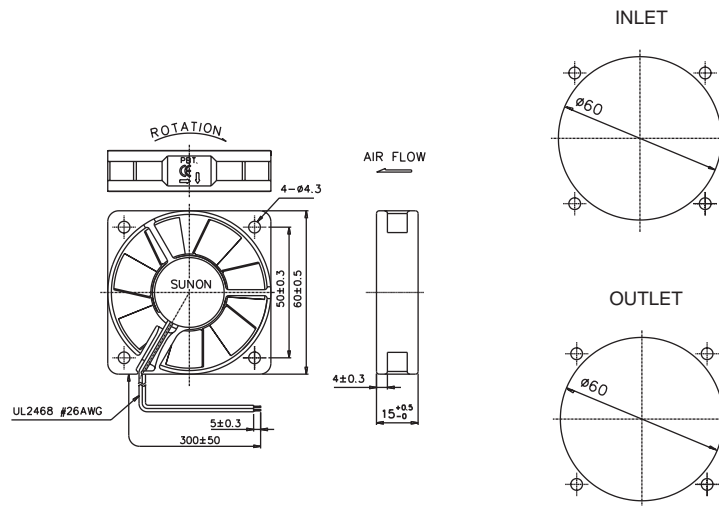
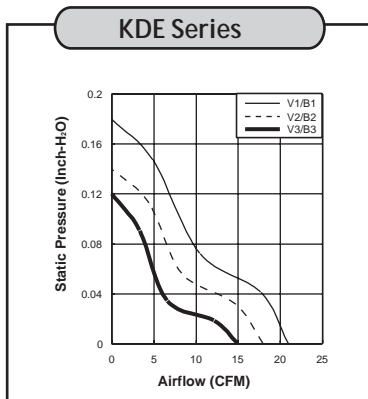
15~21 CFM



KDE Series (MagLev)

Model	P/N	Bearing	Rating Voltage (VDC)	Power Current (AMP)	Power Consumption (WATTS)	Speed (RPM)	Air Flow (CFM)	Static Pressure (Inch-H ₂ O)	Noise (dBA)	Weight (g)
KDE1206PHV1	MS	● VAPO	12	0.15	1.8	4300	21	0.18	36.0	45
KDE1206PHV2	MS	● BALL	12	0.09	1.1	3800	18	0.14	31.0	45
KDE1206PHV3	MS	● 2BALL	12	0.06	0.7	3000	15	0.12	25.0	45
KDE1206PHB1	MS	○	12	0.15	1.8	4300	21	0.18	37.5	45
KDE1206PHB2	MS	○	12	0.09	1.1	3800	18	0.14	31.5	45
KDE1206PHB3	MS	○	12	0.06	0.7	3000	15	0.12	26.0	45

*Remarks : GM series are available with lower power consumption, higher torque and higher T^o range (≥ 70°C).



*Specifications subject to change without notice.

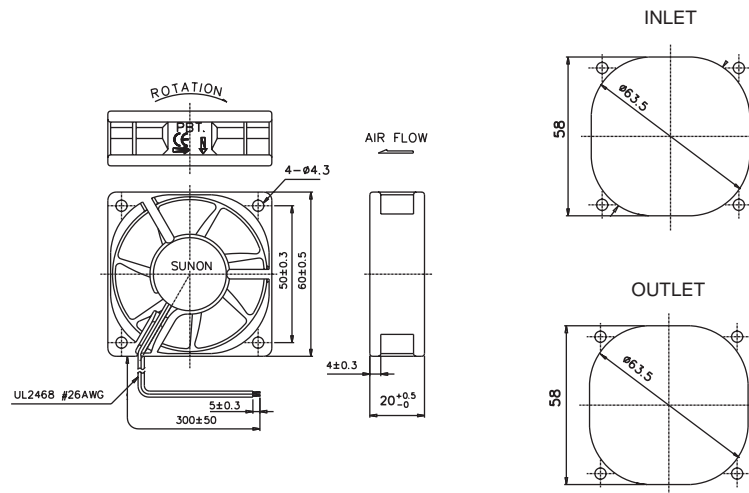
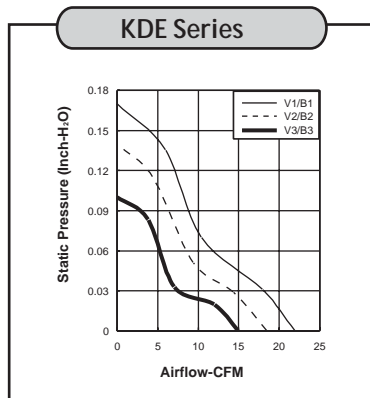
15~22 CFM



KDE Series (MagLev)

Model	P/N	Bearing	Rating Voltage (VDC)	Power Current (AMP)	Power Consumption (WATTS)	Speed (RPM)	Air Flow (CFM)	Static Pressure (Inch-H ₂ O)	Noise (dBA)	Weight (g)
KDE1206PKV1	MS	● VAPO	12	0.15	1.8	4300	22.0	0.17	32.0	50
KDE1206PKV2	MS	● BALL	12	0.09	1.1	3600	18.5	0.14	27.5	50
KDE1206PKV3	MS	● 2BALL	12	0.07	0.8	3200	15.0	0.10	25.0	50
KDE1206PKB1	MS	○	12	0.15	1.8	4300	22.0	0.17	32.5	50
KDE1206PKB2	MS	○	12	0.09	1.1	3600	18.5	0.14	28.0	50
KDE1206PKB3	MS	○	12	0.07	0.8	3200	15.0	0.10	26.0	50

*Remarks : GM series are available with lower power consumption, higher torque and higher T^o range (≥ 70°C).



*Specifications subject to change without notice.

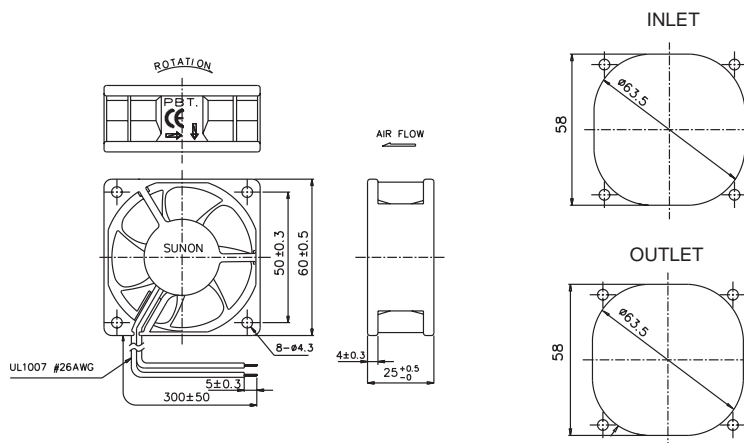
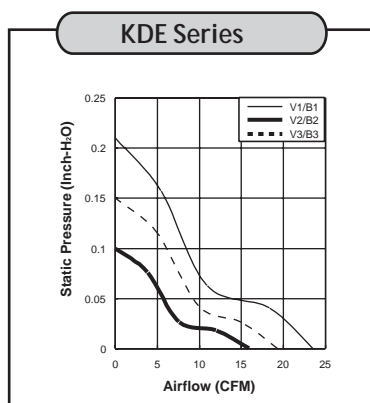
16~23.5 CFM



KDE Series (MagLev)

Model	P/N	Bearing	Rating Voltage (VDC)	Power Current (AMP)	Power Consumption (WATTS)	Speed (RPM)	Air Flow (CFM)	Static Pressure (Inch-H ₂ O)	Noise (dBA)	Weight (g)
KDE1206PTV1	MS	●	12	0.15	1.8	4500	23.5	0.21	33.5	55
KDE1206PTV2	MS	●	12	0.09	1.1	3800	19.3	0.15	29.0	55
KDE1206PTV3	MS	●	12	0.06	0.7	3100	16.0	0.10	21.0	55
KDE1206PTB1	MS	○	12	0.15	1.8	4500	23.5	0.21	34.5	55
KDE1206PTB2	MS	○	12	0.09	1.1	3800	19.3	0.15	31.0	55
KDE1206PTB3	MS	○	12	0.06	0.7	3100	16.0	0.10	22.0	55
KDE1206PTB1	MS.(2)	⦿	12	0.15	1.8	4500	23.5	0.21	34.5	55
KDE1206PTB2	MS.(2)	⦿	12	0.09	1.1	3800	19.3	0.15	31.0	55

*Remarks : GM series are available with lower power consumption, higher torque and higher T^o range (≥ 70°C).



*Specifications subject to change without notice.

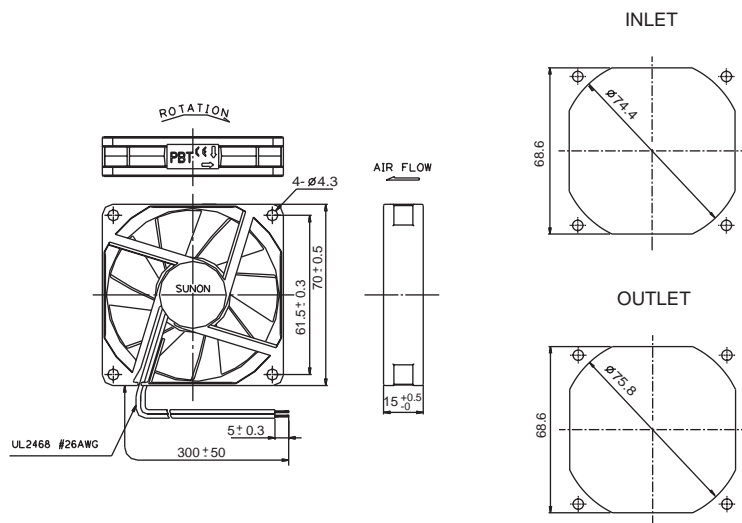
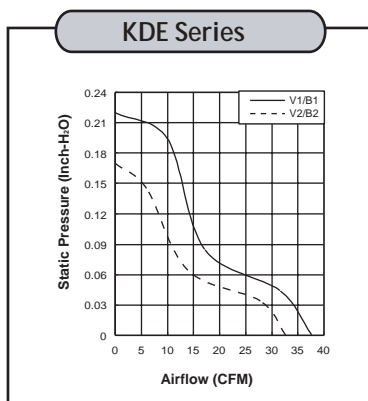
32.7~37.8 CFM



KDE Series (MagLev)

Model	P/N	Bearing	Rating Voltage (VDC)	Power Current (AMP)	Power Consumption (WATTS)	Speed (RPM)	Air Flow (CFM)	Static Pressure (Inch-H ₂ O)	Noise (dBA)	Weight (g)
KDE1207PHV1-A	11.MS	● VAPD	12	0.23	2.8	4600	37.8	0.22	41.0	50
KDE1207PHV2-A	11.MS	● BALL	12	0.17	2.0	4000	32.7	0.17	38.0	50
KDE1207PHB1-A	11.MS	○ 2BALL	12	0.23	2.8	4600	37.8	0.22	41.3	50
KDE1207PHB2-A	11.MS	○	12	0.18	2.2	4000	32.7	0.17	38.0	50

*Remarks : GM series are available with lower power consumption, higher torque and higher T^o range (≥ 70°C).



*Specifications subject to change without notice.

22~28 CFM



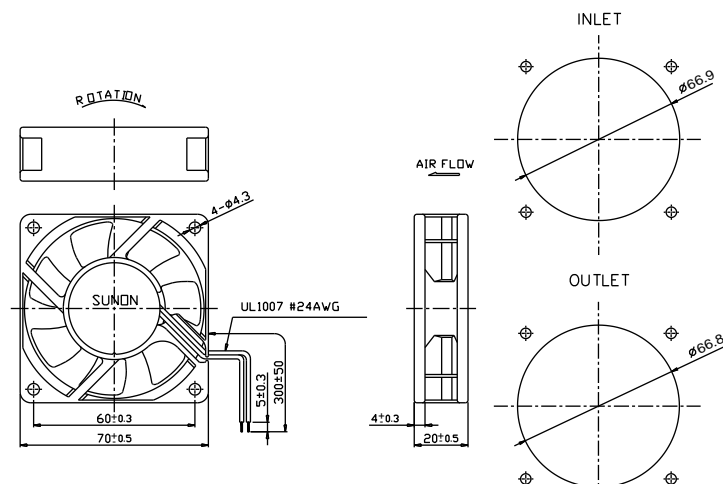
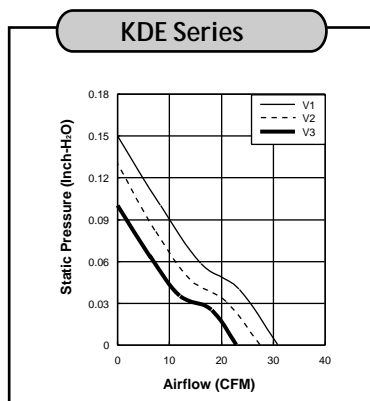
KDE Series (MagLev)



Model	P/N	Bearing	Rating Voltage (VDC)	Power Current (AMP)	Power Consumption (WATTS)	Speed (RPM)	Air Flow (CFM)	Static Pressure (Inch-H ₂ O)	Noise (dBA)	Weight (g)
KDE1207PKV1	13.MS.A	● VAPO ○ BALL ⊙ 2BALL	12	0.12	1.4	3400	28.0	0.16	32	58
KDE1207PKV2	13.MS.A	●	12	0.10	1.2	3000	25.0	0.13	30	58
KDE1207PKV3	13.MS.A	●	12	0.08	1.0	2600	22.0	0.10	26	58

*Remarks : GM series are available with lower power consumption, higher torque and higher T^o range (¡Ü70¢J).

*Remarks : please contact local sales for high airflow model required.



*Specifications subject to change without notice.

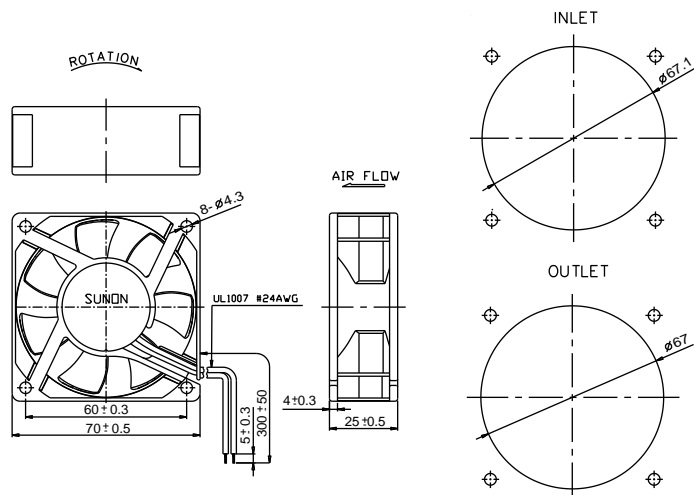
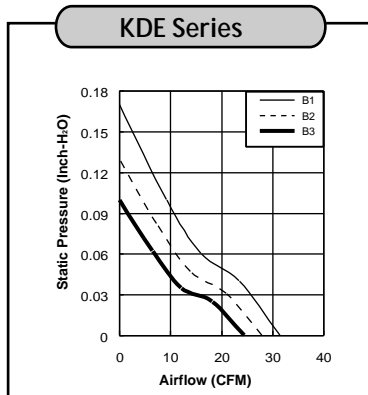
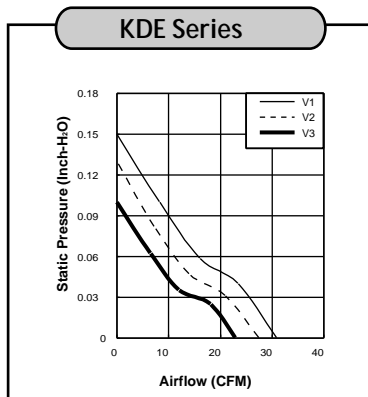
24~32 CFM



KDE Series (MagLev)

Model	P/N	Bearing	Rating Voltage (VDC)	Power Current (AMP)	Power Consumption (WATTS)	Speed (RPM)	Air Flow (CFM)	Static Pressure (Inch-H ₂ O)	Noise (dBA)	Weight (g)
KDE1207PTV1	13.MS.A	● VAPO	12	0.13	1.6	3200	31.0	0.15	32	70
KDE1207PTV2	13.MS.A	● BALL	12	0.11	1.3	2900	28.0	0.13	29	70
KDE1207PTV3	13.MS.A	● 2BALL	12	0.08	1.0	2500	24.0	0.10	25	70
KDE1207PTB1	13.MS.(2).A	⊙	12	0.13	1.6	3400	32.0	0.16	33	70
KDE1207PTB2	13.MS.(2).A	⊙	12	0.10	1.2	3100	29.5	0.14	31	70
KDE1207PTB3	13.MS.(2).A	⊙	12	0.07	0.8	2700	26.0	0.10	28	70

*Remarks : please contact local sales for high airflow model required.



*Specifications subject to change without notice.

29~39 CFM

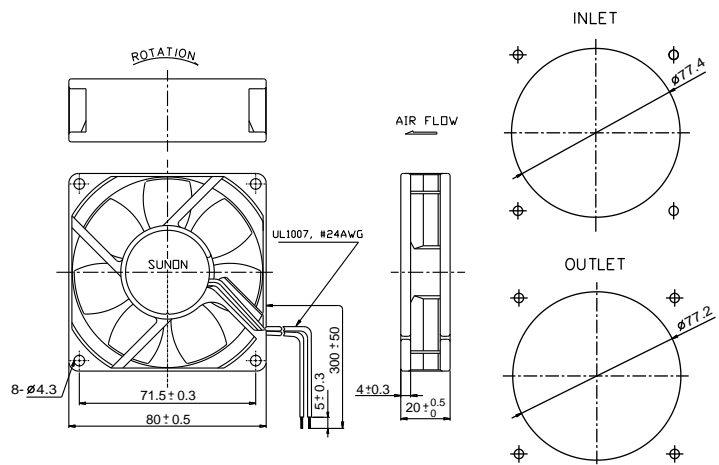
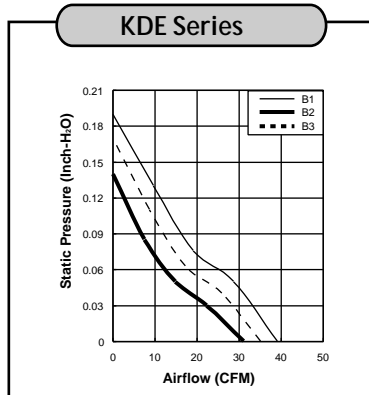
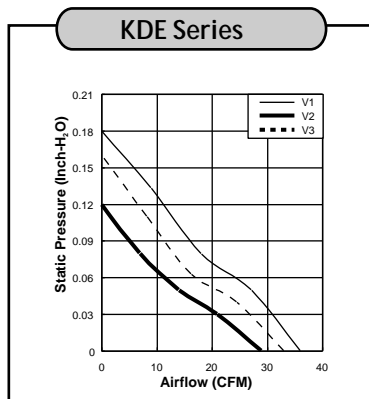


KDE Series (MagLev)



Model	P/N	Bearing	Rating Voltage (VDC)	Power Current (AMP)	Power Consumption (WATTS)	Speed (RPM)	Air Flow (CFM)	Static Pressure (Inch-H ₂ O)	Noise (dBA)	Weight (g)
KDE1208PKV1	13.MS.A	● VAPO	12	0.13	1.6	3200	36	0.18	38	70
KDE1208PKV2	13.MS.A	○ BALL	12	0.11	1.3	2900	33	0.16	35	70
KDE1208PKV3	13.MS.A	⊙ 2BALL	12	0.08	1.0	2500	29	0.12	30	70
KDE1208PKB1	13.MS.(2).A	⊕	12	0.12	1.4	3300	39	0.19	39	70
KDE1208PKB2	13.MS.(2).A	⊕	12	0.10	1.2	3000	35	0.17	37	70
KDE1208PKB3	13.MS.(2).A	⊕	12	0.08	1.0	2600	31	0.14	33	70

*Remarks : please contact local sales for high airflow model required.



*Specifications subject to change without notice.

31~41 CFM

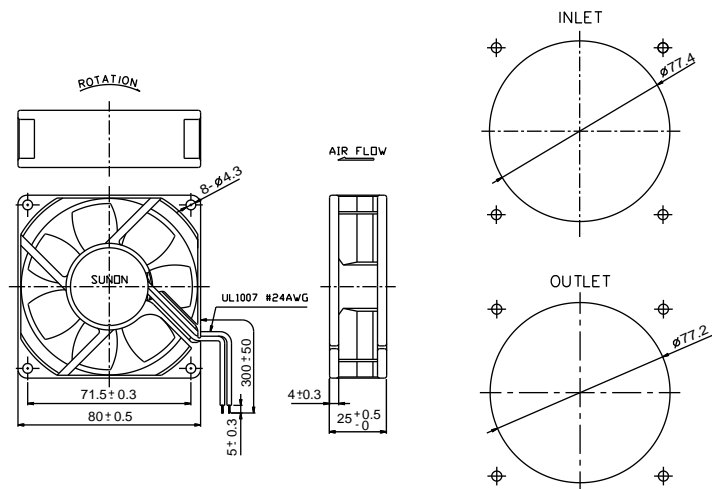
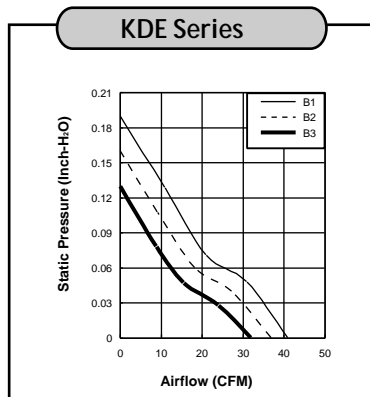
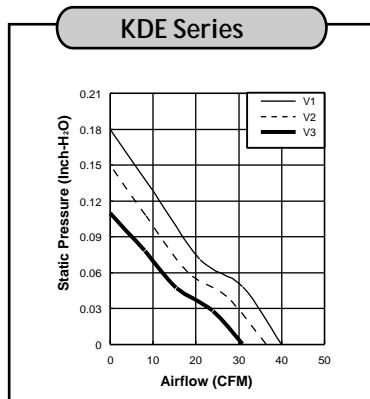


KDE Series (MagLev)



Model	P/N	Bearing	Rating Voltage (VDC)	Power Current (AMP)	Power Consumption (WATTS)	Speed (RPM)	Air Flow (CFM)	Static Pressure (Inch-H ₂ O)	Noise (dBA)	Weight (g)
KDE1208PTV1	13.MS.A	● VAPO	12	0.15	1.8	3000	40.0	0.18	33	80
KDE1208PTV2	13.MS.A	● BALL	12	0.13	1.6	2700	36.5	0.15	31	80
KDE1208PTV3	13.MS.A	● 2BALL	12	0.09	1.1	2300	31.0	0.11	26	80
KDE1208PTB1	13.MS.(2).A	⊗	12	0.14	1.7	3100	41.0	0.19	35	80
KDE1208PTB2	13.MS.(2).A	⊗	12	0.11	1.3	2800	37.0	0.16	32	80
KDE1208PTB3	13.MS.(2).A	⊗	12	0.08	1.0	2500	33.1	0.13	28	80

*Remarks : please contact local sales for high airflow model required.



*Specifications subject to change without notice.

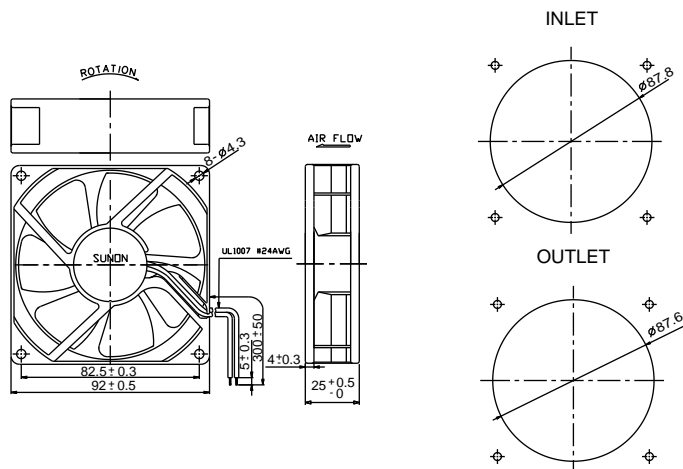
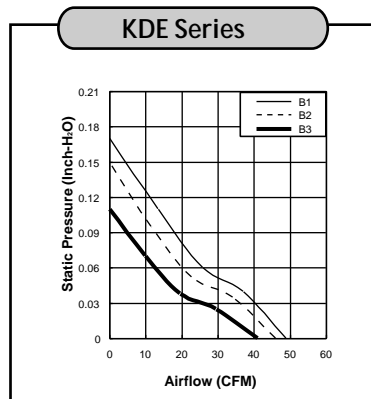
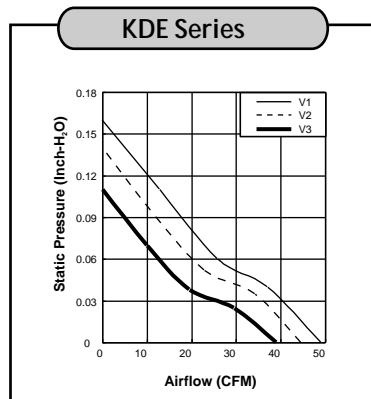
39~49 CFM



KDE Series (MagLev)

Model	P/N	Bearing	Rating Voltage (VDC)	Power Current (AMP)	Power Consumption (WATTS)	Speed (RPM)	Air Flow (CFM)	Static Pressure (Inch-H ₂ O)	Noise (dBA)	Weight (g)
KDE1209 PTV1	13.MS.A	● VAPO	12	0.16	1.9	2800	49	0.16	34	95
KDE1209PTV2	13.MS.A	● BALL	12	0.13	1.6	2500	44.5	0.14	32	95
KDE1209PTV3	13.MS.A	● 2BALL	12	0.10	1.2	2200	39	0.11	28	95
KDE1209PTB1	13.MS.(2).A	⊕	12	0.16	1.9	2800	49	0.17	35	95
KDE1209PTB2	13.MS.(2).A	⊕	12	0.13	1.6	2600	48	0.15	33	95
KDE1209PTB3	13.MS.(2).A	⊕	12	0.09	1.1	2300	41	0.11	30	95

*Remarks : please contact local sales for high airflow model required.



*Specifications subject to change without notice.