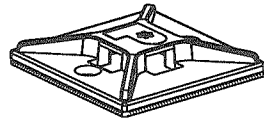
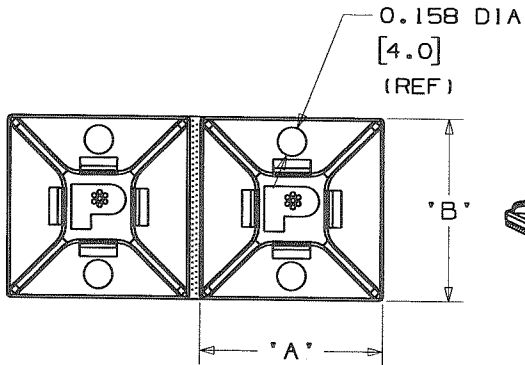


THIS COPY IS PROVIDED ON A RESTRICTED BASIS AND IS NOT TO BE USED IN ANY WAY DETRIMENTAL TO THE INTERESTS OF PANDUIT CORP.

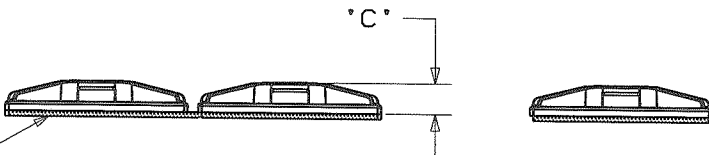
| PANDUIT PART NUMBER* | USE WITH THESE CABLE TIE CROSS SECTIONS | DIMENSION | | | WEIGHT lbs/100 pcs (g)/100 pcs |
|----------------------|---|----------------|----------------|---------------|--------------------------------------|
| | | *A* | *B* | *C* | |
| ABM2S-A | MINIATURE INTERMEDIATE STANDARD | 1.00 (25.4) | 1.00 (25.4) | .165 (4.2) | 0.23 (107) |



NO WARRANTY, EXPRESSED OR IMPLIED, IS MADE BY PANDUIT WITH RESPECT TO ADHESIVE BOND PERFORMANCE. AMONG OTHER THINGS, THE CONDITIONS UNDER WHICH THESE MOUNTS MAY BE APPLIED ARE BEYOND PANDUIT'S CONTROL.

TO APPLY MOUNTS:

1. REMOVE MOUNT FROM THE PROTECTIVE LINER.
2. PLACE IN DESIRED LOCATION.
3. APPLY PRESSURE TO TOP SURFACE OF MOUNT.



ADHESIVE BACKING:
PRESSURE SENSITIVE FOAM TAPE
0.04(1.0) THICK WITH PROTECTIVE
LINER. MOUNT IS DESIGNED TO
SUPPORT 0.5 LBS. (227g) MAX.
WEIGHT ON A CLEAN, DRY, SMOOTH,
GREASE-FREE SURFACE.

NOTES:

- *1. SEE CURRENT PRICE SHEET FOR PART NUMBER SUFFIX DESIGNATION FOR PACKAGE SIZE.
2. MOUNTS PROVIDED IN STRIPS OF TWO FOR EASY REMOVAL FROM LINER.
3. MOUNT HAS CONTINUOUS OPERATION TEMPERATURE OF 120°F (49°C).

| | |
|--|----------------------|
| DIMENSIONS IN BRACKETS ARE METRIC [mm] | |
| CAD FILENAME/LAYERS G03597HJ_DC_GB0239CF/00B | |
| | |
| TINLEY PARK, ILLINOIS | |
| ABM2S-A ADHESIVE BACKED MOUNT | |
| UNLESS OTHERWISE SPECIFIED, DIMENSIONAL TOLERANCES ARE: (.X) ±0.05 (1.3) (.XXX) ±0.010 (0.25) (.XX) ±0.02 (0.5) ANGLES ± 5° | |
| UNLESS OTHERWISE SPECIFIED, ALL DIMENSIONS ARE GIVEN IN INCHES, THIRD ANGLE PROJECTION. | |
| DRAWN BY MJK | MAT'L: ABS |
| DATE 11/3/94 | SCALE NONE |
| CHK'D KLN | DRAWING NO. GB0239CF |
| | DWG SIZE A |

| REV | DATE | BY | CHK | DESCRIPTION | ECN | R | CUST | SUP |
|-----|----------|-----|-----|--|----------|-----|------|-----|
| 00B | 02/24/09 | GDH | RP | REVISED DRAWING FORMAT, ADDED DIMENSIONS IN TABLE | GB0239CF | 00B | KLN | |
| 9 | 3/3/05 | JAD | | REMOVE ABM2S | GB0239CF | 9 | | |
| 8 | 7/9/03 | JAD | | CHANGED TOLERANCE ON .203 AND .067 DIMENSION FROM .010 (.25) TO .015 (.38) | GB0239CF | 8 | | |
| 7 | 5/27/03 | JAD | | CORRECTED WINDOW WIDTH DIMENSION | GB0239CF | 7 | | |