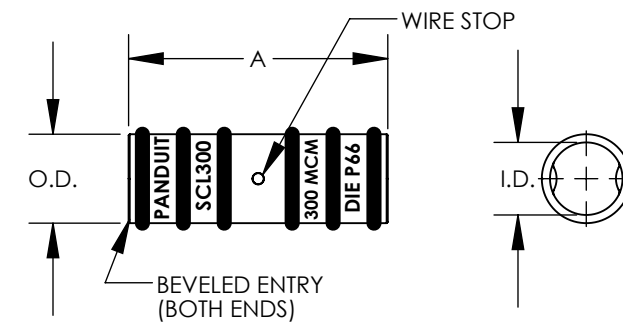


THIS COPY IS PROVIDED ON A RESTRICTED BASIS AND IS NOT TO BE USED IN ANY WAY DETRIMENTAL TO THE INTERESTS OF PANDUIT CORP.

PANDUIT PART NUMBER	COPPER CONDUCTOR SIZE	EXPANDED WIRE RANGE**	BARREL		OVERALL LENGTH "A" ±.06	WIRE STRIP LENGTH	PANDUIT CRIMP TOOL PART NUMBERS			
			I.D. ± .01	O.D. ± .01			CT-720	CT-920/CT-920CH CT-930/CT-930CH CT-940CH* CT-2920 CT-2940*	CT-2001	CT-2950*** CT-2980 CT-980 CT-980CH
SCL300-X	300 MCM	#2/0-300 MCM	.650	.813	4.12	2	CD-720-4 WHITE P66 (4)	CD-920-300 WHITE P66 (3)	CD-2001-300 WHITE P66 (3)	STD (3)
SCL350-X	350 MCM	#3/0-350 MCM	.700	.875	4.12	2	CD-720-5 RED P71 (4)	CD-920-350 RED P71 (3)	CD-2001-350 RED P71 (3)	STD (3)
SCL400-6	400 MCM	#4/0-400 MCM	.762	.950	4.37	2-1/8	CD-720-6 BLUE P76 (4)	CD-920-400 BLUE P76 (3)	CD-2001-400 BLUE P76 (4)	STD (3)
SCL500-6	500 MCM	#4/0-500 MCM	.836	1.059	4.62	2-1/4	CD-720-7 BROWN P87 (4)	CD-920-500 BROWN P87 (3)	CD-2001-500 BROWN P87 (4)	STD (3)
SCL600-6	600 MCM	250-600 MCM	.923	1.187	5.50	2-11/16	---	CD-920-600 GREEN P94 (4)	---	STD (4)
SCL750-6	750 MCM	500-750 MCM	1.031	1.299	5.87	2-7/8	---	CD-920-750 BLACK P106 (4)	---	STD (4)
SCL1000-3 ****	1000 MCM	---	1.173	1.500	6.12	3	---	---	---	---



NOTES:

1. MATERIAL: HIGH CONDUCTIVITY SEAMLESS COPPER TUBING
2. ELECTRO-TIN PLATED
3. BARREL COLOR CODED WITH DIE SET INDEX NUMBER.
4. UL LISTED WITH CODE COPPER CONDUCTORS FOR APPLICATIONS UP TO 35KV, FILE E52164.
5. CONSULT CABLE MANUFACTURER FOR VOLTAGE STRESS RELIEF INSTRUCTIONS WITH APPLICATIONS GREATER THAN 2000 VOLTS.
6. CSA CERTIFIED FOR APPLICATIONS UP TO 35 KV, FILE LR31212.
7. UL LISTED PER UL467 FOR GROUNDING AND BONDING.
8. FOR USE WITH COPPER CABLES ONLY.



\*CD-920 DIES CAN BE USED WITH CT-940CH AND CT-2940 TOOLS WITH CD-940-DA DIE ADAPTER.  
 \*\*WITH CT-980, CT-980CH, CT-2950, & CT-2980  
 \*\*\*MAX SIZE 500 MCM  
 \*\*\*\*SCL1000 IS NOT cULus LISTED FOR GROUNDING AND BONDING

REV	DATE	BY	CHK	APR	DESCRIPTION	ECN
05	8/19	JHNU	JHNU	RGB	ADDED NOTE TO SPECIFY SCL1000 IS NOT RATED FOR GROUNDING/BONDING REVISED TITLE BLOCK	N41132BA-DC

TITLE SCL LONG BARREL SPLICES #300 - 1000 kcmil CUSTOMER DRAWING						
ITEM REVISION NAME N41132BA/05						
DATASET FILE NAME N41132BA-DC/05.SLDDRW						
UNLESS OTHERWISE SPECIFIED, DIMENSIONAL TOLERANCES ARE: IN [mm]						MATERIAL
.X ± .XXX ± .XX ± ANGLES ±						SEE NOTES
DRAWN BY PWS						DRAWING NUMBER C41132
DATE 3-10-93						THIRD ANGLE PROJECTION
CHK GRM						SCALE NONE
SHEET 1 OF 1						SIZE B