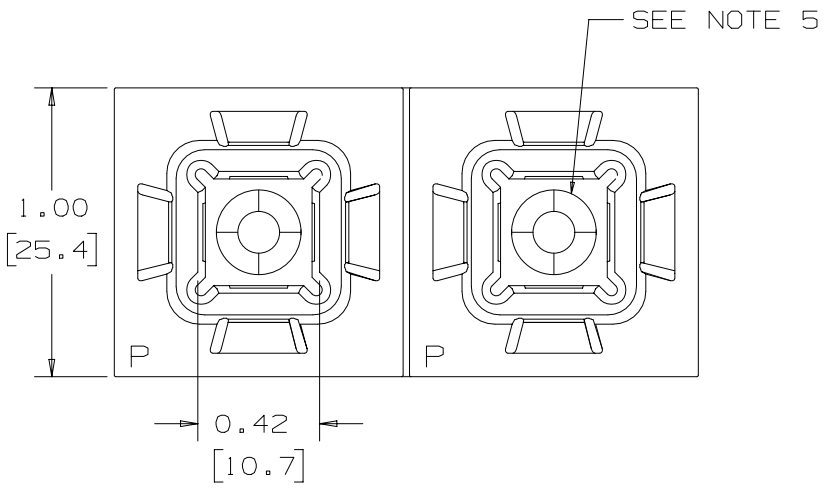


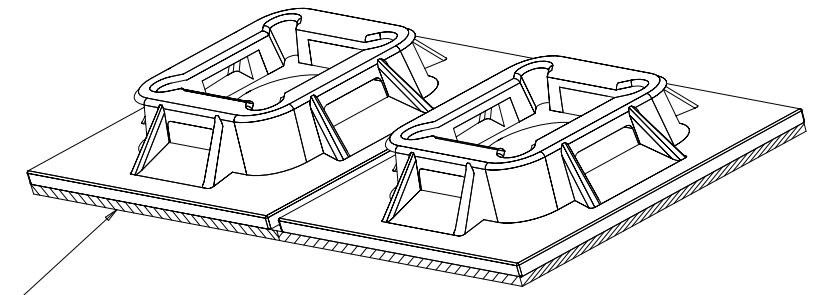
2

1

THIS COPY IS PROVIDED ON A RESTRICTED BASIS AND IS NOT TO BE USED IN ANY WAY DETRIMENTAL TO THE INTERESTS OF PANDUIT CORP.

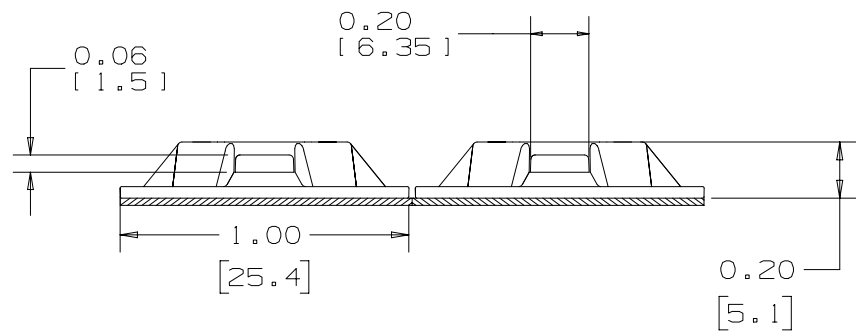


| PANDUIT PART NUMBER* | WEIGHT lbs/100 pcs (g)/100 pcs | USE WITH ANY OF THESE CABLE TIE CROSS-SECTIONS |
|----------------------|--------------------------------------|--|
| ABM100-AT | 0.26 (119) | M, I, S |



NO WARRANTY, EXPRESSED OR IMPLIED, IS MADE BY PANDUIT WITH RESPECT TO ADHESIVE BOND PERFORMANCE. AMONG OTHER THINGS, THE CONDITIONS UNDER WHICH THESE MOUNTS MAY BE APPLIED AND / OR THE SURFACE TO WHICH THEY MAY BE APPLIED ARE BEYOND PANDUIT'S CONTROL.

ADHESIVE BACKING: ACRYLIC BASED ADHESIVE PRESSURE SENSITIVE FOAM TAPE 0.04 (1.0) THICK WITH A PROTECTIVE LINER. MOUNT IS DESIGNED TO SUPPORT 0.50 lbs (227g) MAX. WEIGHT ON A CLEAN DRY SMOOTH SURFACE.



- NOTES:
- SEE www.panduit.com FOR CURRENT PART NUMBER SUFFIX DESIGNATION AND FOR PACKAGE SIZE AND PART COLOR.
 - THE '-AT' SUFFIX REPRESENTS ACRYLIC ADHESIVE.
 - MOUNT HAS A MAXIMUM CONTINUOUS OPERATING TEMPERATURE OF 180°F (82°C).
 - SUPPLIED IN STRIPS OF TWO.
 - HOLE FOR STANDARD S6 FLAT HEAD SCREW.

A

A

| REV | DATE | BY | CHK | APR | DESCRIPTION | ECN |
|-----|----------|-----|-----|------|--|-------------|
| 07 | 10/22/14 | BWG | MPH | JADE | REMOVED RAISED PANDUIT MARK FROM PART, UPDATED NOTE 1 AND TITLE BORDER AND CREATED NEW CAD ID, WAS G00033BB_DC_ABM100AT_06 | GB0033BB/07 |

| | |
|---|-----------------------|
| TITLE ABM100-AT - FOUR-WAY MOUNT | |
| CUSTOMER DRAWING | |
| ITEM REVISION NAME 10B0150K/00 | PANDUIT |
| DATASET FILE NAME 10B0150K_DC/00 GB0033BB_REV07 | |
| UNLESS OTHERWISE SPECIFIED, DIMENSIONAL TOLERANCES ARE: IN [mm] | |
| .x ± 0.05 [1.3] | .xxx ± 0.010 [0.25] |
| .xx ± 0.02 [.02] | ANGLES ± 5 ° |
| DRAWING NUMBER: GB0033BB | |
| DRAWN BY MJK | DATE 12/09/92 |
| CHK | SCALE NONE |
| SHT 1 OF 1 | |
| SIZE A | |

2

1